

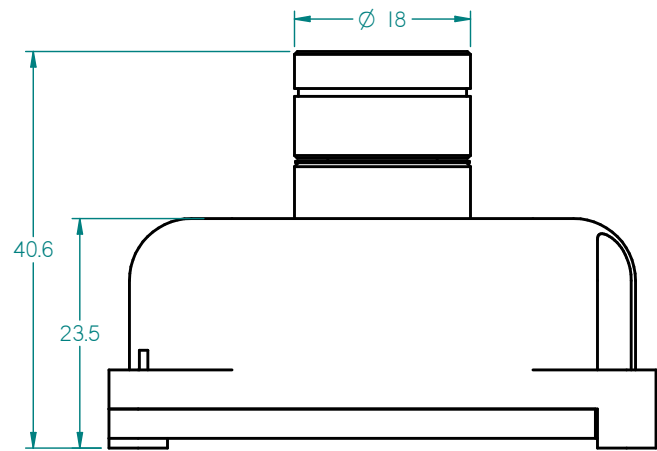
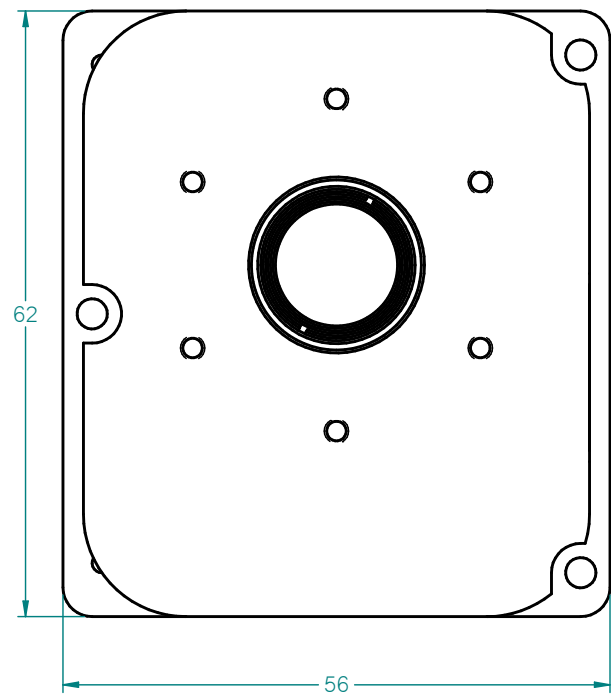


STAR TRACKER

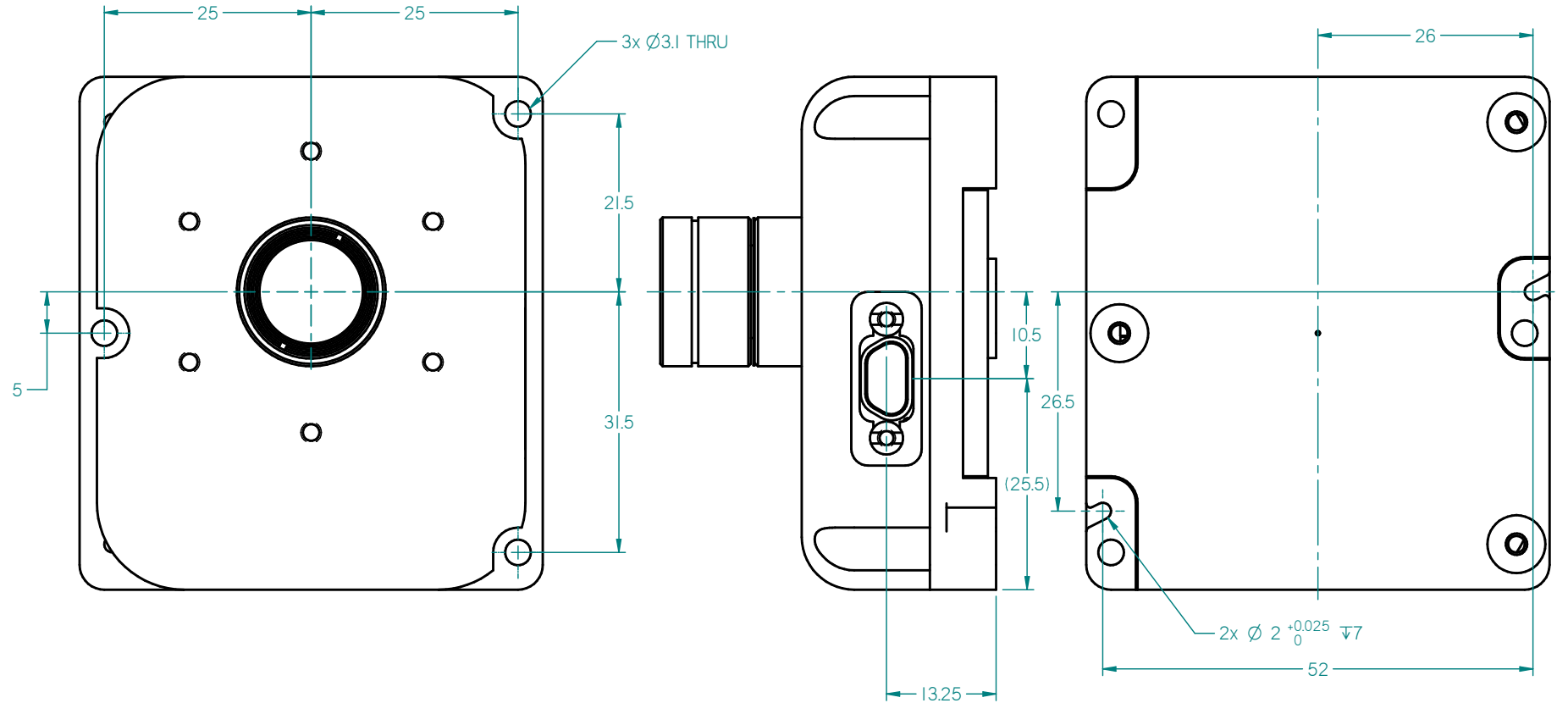
ST-16HV

Mechanical Interface Control Document

Volume Envelope

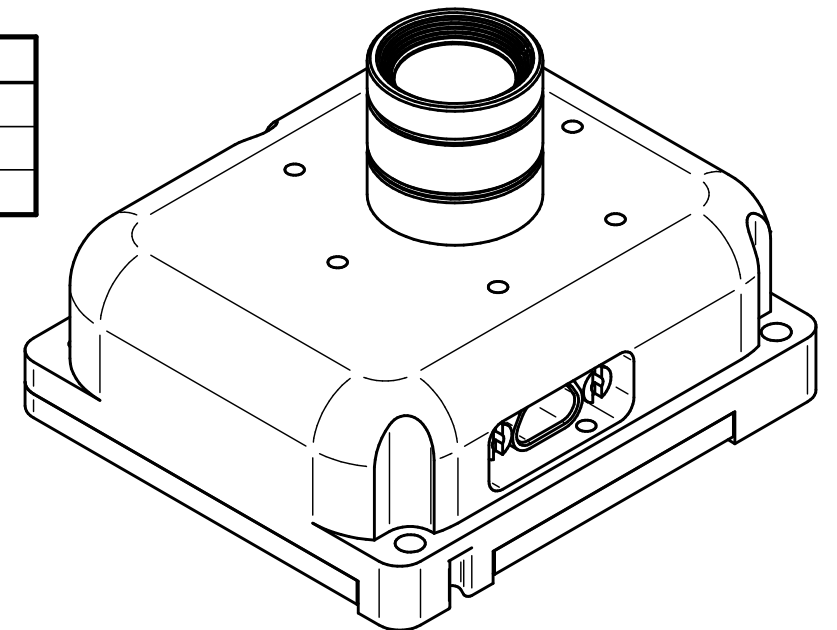


Mechanical Interface

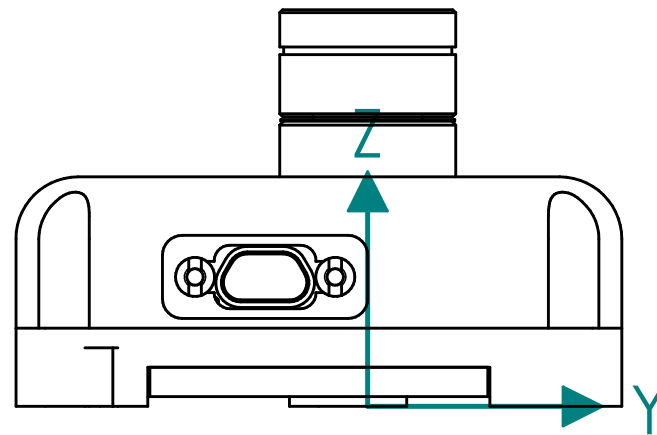
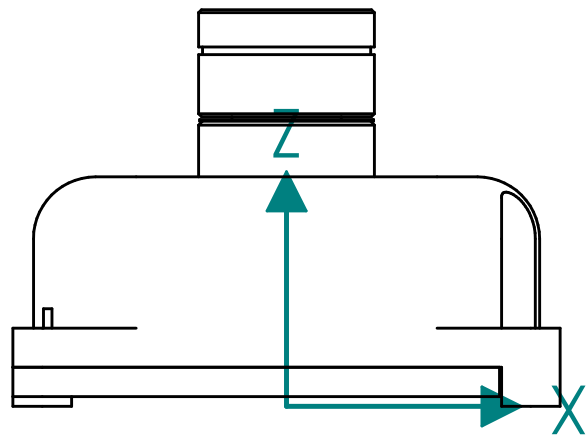


| Assembly Moment of Inertia | |
|----------------------------|--------------------------------|
| Ixx | 77795.898438 g.mm ² |
| Iyy | 62102.253906 g.mm ² |
| Izz | 85328.593750 g.mm ² |
| Ixy | 405.580841 g.mm ² |
| Ixz | -162.625793 g.mm ² |
| Iyz | -8705.194336 g.mm ² |

| Assembly Centre of Mass | |
|-------------------------|-----------|
| X | -0.046 mm |
| Y | -4.866 mm |
| Z | 13.627 mm |

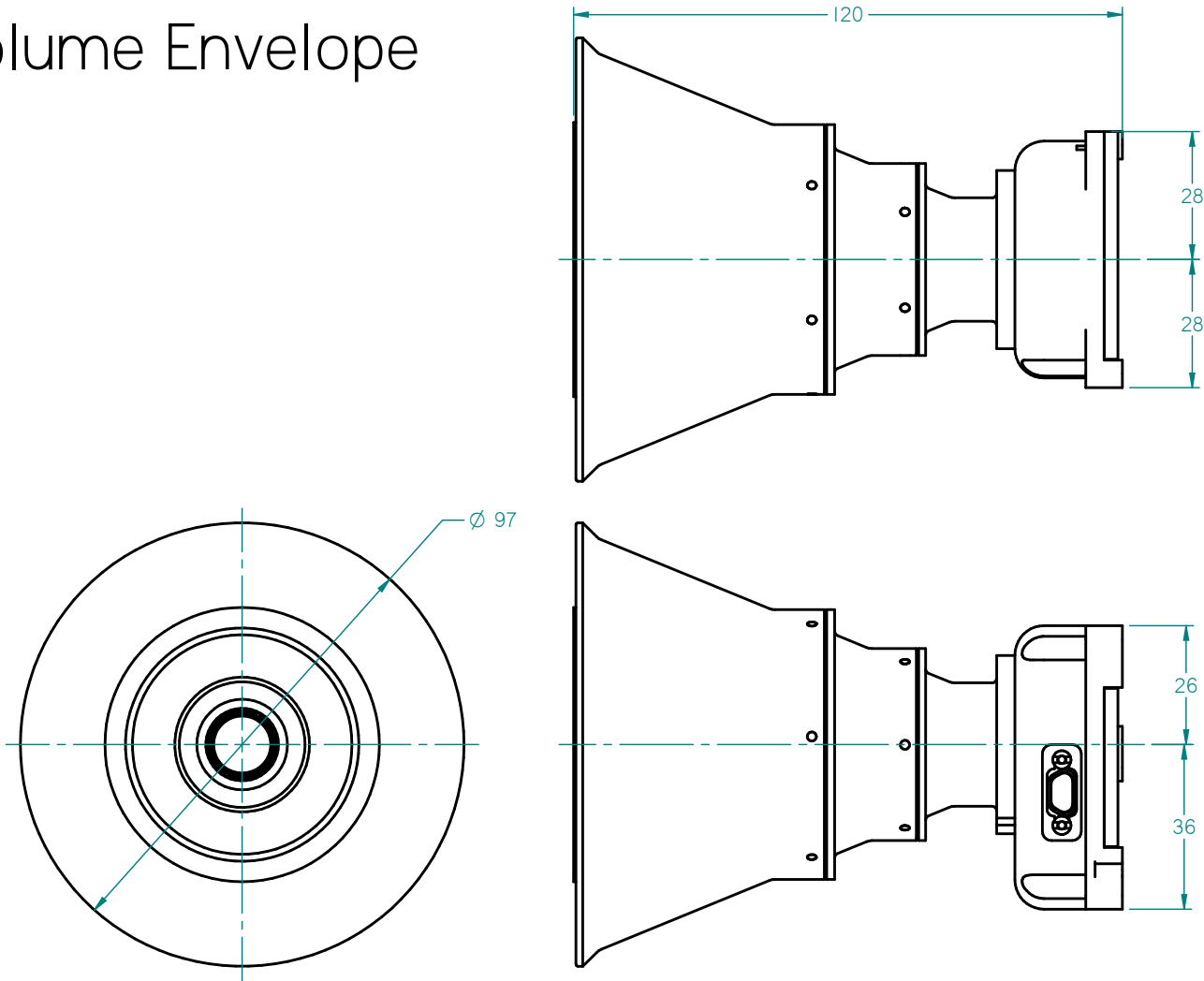


Reference Frame

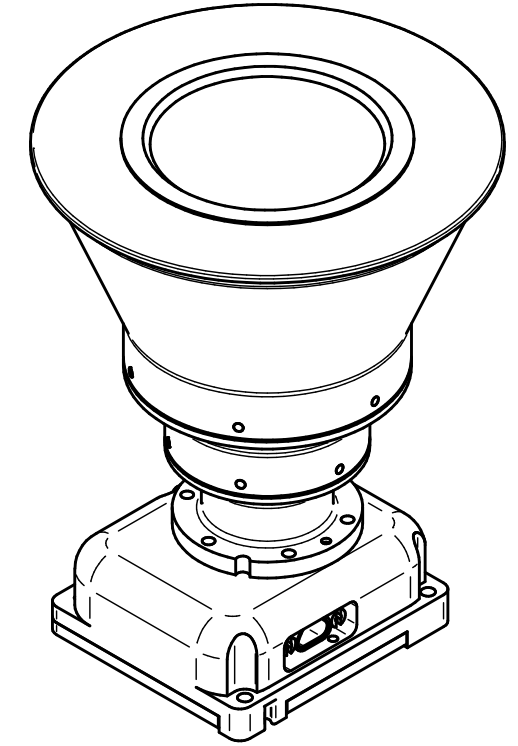


| | | | | | | |
|--|---------|----------|----------|---------|--------|--|
| UNLESS OTHERWISE SPECIFIED DIMENSIONS ARE IN MILLIMETERS TOLERANCES: LINEAR: ±0.1 ANGLE: ±0.5° | | NAME | DATE | | | 20 Maud St. Suite 200, Toronto, ON M5V 2M5 Info@sinclairinterplanetary.com |
| DRAWN | phundal | 06/22/22 | APPROVED | | | |
| THIRD ANGLE PROJECTION | | | PRODUCT | ST-I6HV | TITLE | MICD |
| MATERIAL: | | | SIZE | DWG NO | REV | |
| SURFACE TREATMENT: | | | C | ST-I6HV | I.0 | |
| | | | SCALE | MASS | SHEET | |
| | | | 2:1 | 148.3 g | 1 OF 1 | |

Volume Envelope



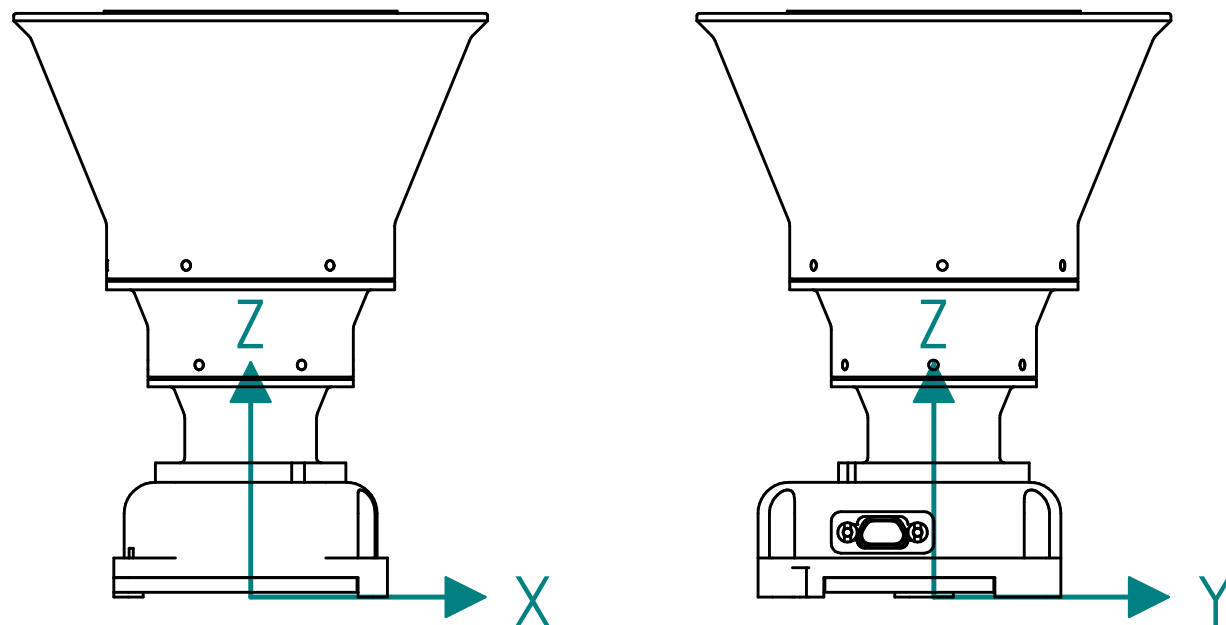
| REVISION HISTORY | | | |
|------------------|-------------|------|----------|
| REV | DESCRIPTION | DATE | APPROVED |
| | | | |



Notes:

- See ST-I6HV MICD FOR DETAIL ON MOUNTING INTERFACES

Reference Frame



| Assembly Moment of Inertia | |
|----------------------------|---------------------------------|
| lxx | 904031.812500 g.mm ² |
| lyy | 888304.187500 g.mm ² |
| lzz | 190852.593750 g.mm ² |
| lxy | 413.564117 g.mm ² |
| lxz | -161.462952 g.mm ² |
| lyz | -8695.428711 g.mm ² |

| Assembly Centre of Mass | |
|-------------------------|-----------|
| X | -0.027 mm |
| Y | -2.741 mm |
| Z | 40.925 mm |

| | | | |
|---|----------|---------|--|
| UNLESS OTHERWISE SPECIFIED DIMENSIONS ARE IN MILLIMETERS TOLERANCES: LINEAR: ± 0.1 ANGLE: $\pm 0.5^\circ$ | NAME | DATE | 20 Maud St. Suite 200, Toronto, ON M5V 2M5 Info@sinclairinterplanetary.com |
| | DRAWN | bnab | |
| THIRD ANGLE PROJECTION | APPROVED | | TITLE |
| MATERIAL: | PRODUCT | ST-I6HV | MICD |
| SURFACE TREATMENT: | SCALE | 1:1 | SIZE DWG NO C ST-I6HV MASS 263.1 g SHEET 1 OF 1 |